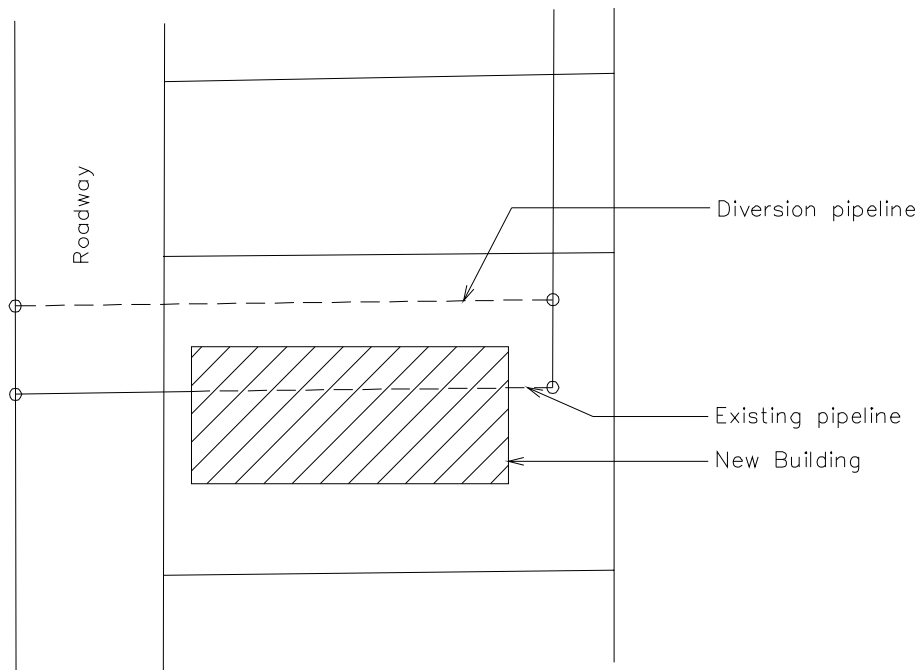


Buildover preferred option



Diversion preferred option



Head Office: 50 Centreway Road, Orewa
 Private Bag 500, Orewa, 1461, New Zealand
 Tel: 0800 4265169, Fax (09) 4267280
 Email: info@rodney.govt.nz

STANDARD DETAIL:
**BUILD OVER CLOSE TO -
 PREFERRED OPTION**

Copyright on this Drawing is Reserved
 DATE: Aug 2006
 NOT TO SCALE

RDC NO: SHEET NO: REV:

18000 P1