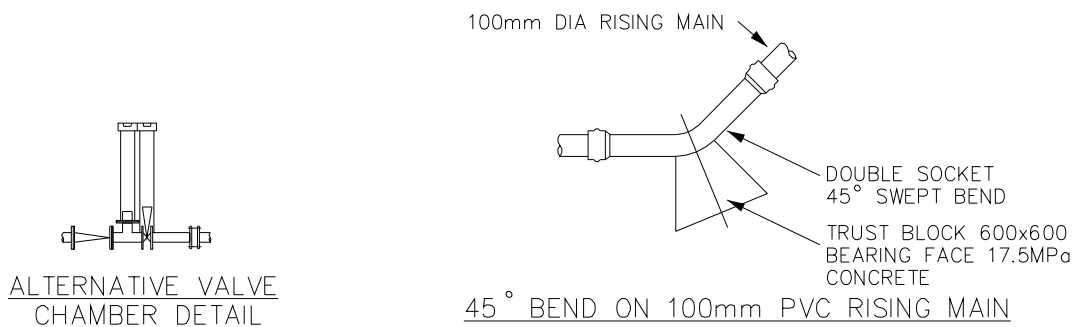


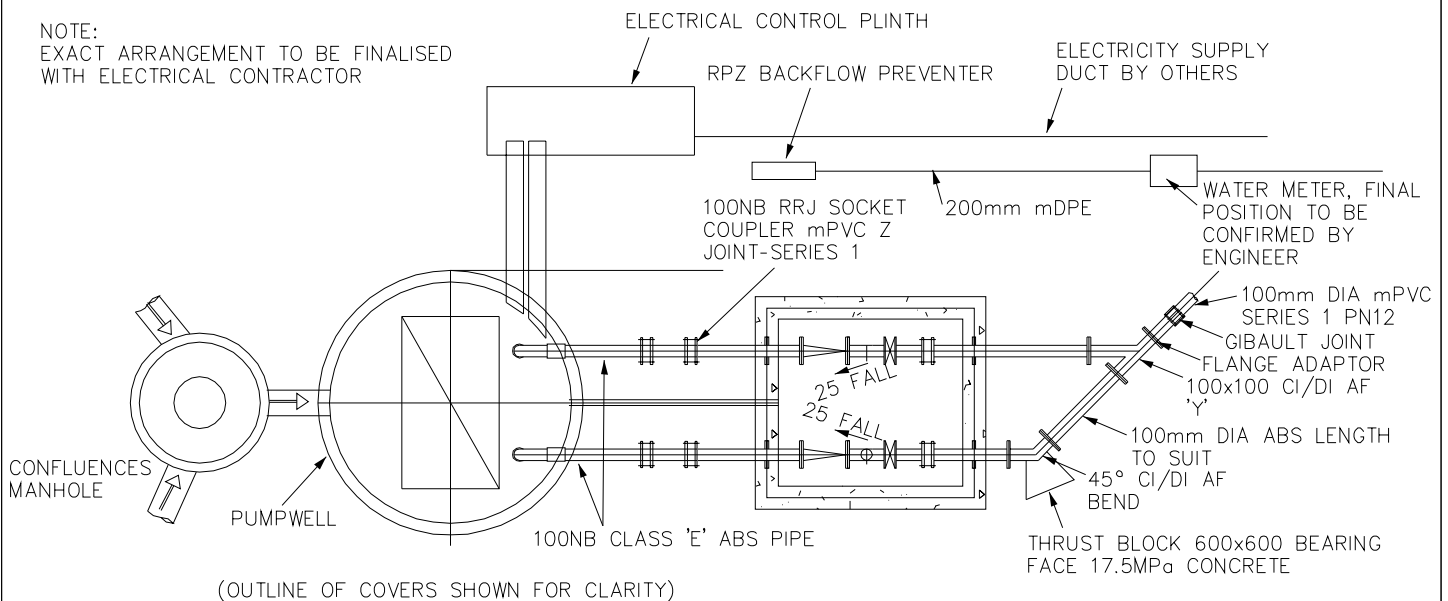
SUPPORT BRACKET FOR H.D.P.E. PIPELINK



ALTERNATIVE VALVE CHAMBER DETAIL

45° BEND ON 100mm PVC RISING MAIN

NOTE:  
EXACT ARRANGEMENT TO BE FINALISED  
WITH ELECTRICAL CONTRACTOR



PUMPING STATION/VALVE CHAMBER PLAN

NOTES:  
1. Also refer to SHEET 5.11



Head Office: 50 Centreway Road, Orewa  
Private Bag 500, Orewa, 1461, New Zealand  
Tel: 0800 4265169, Fax (09) 4267280  
Email: info@rodney.govt.nz

26 February 2009

STANDARD DETAIL:

**MINOR WASTEWATER  
PUMPING STATIONS  
CODE FOR CONSTRUCTION**

Copyright on this Drawing is Reserved  
DATE: January 2009  
NOT TO SCALE

RDC NO: SHEET NO: REV:

**18000 5.12 1**