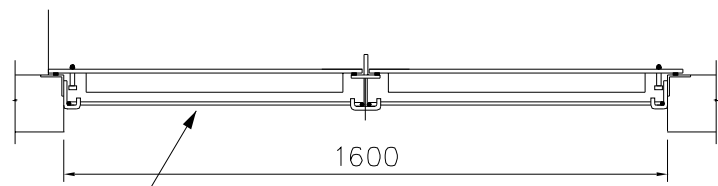
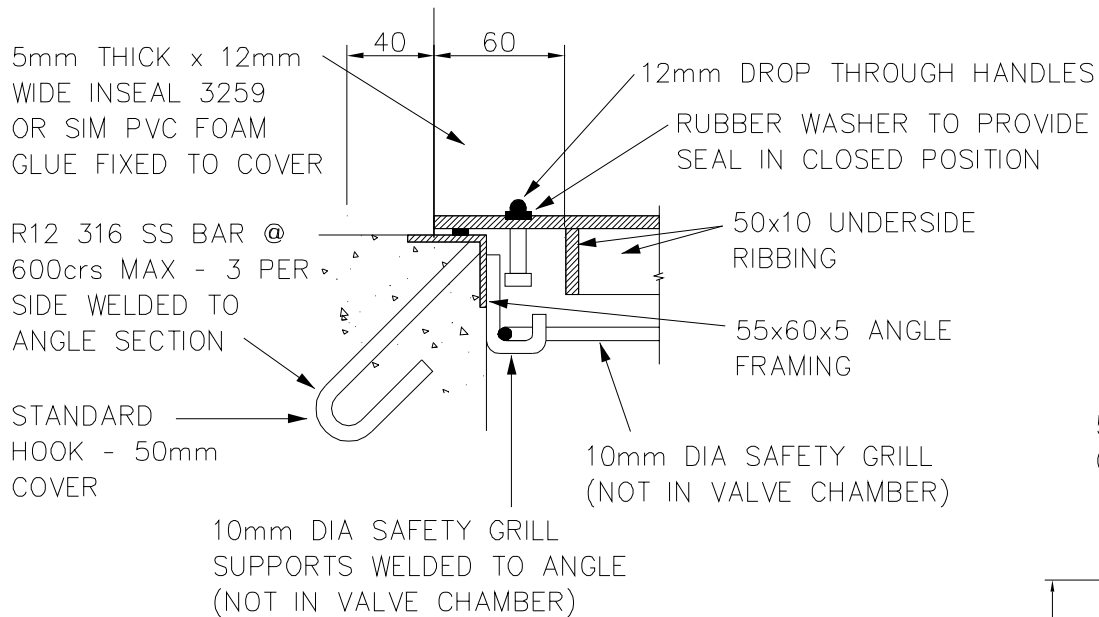


SECTION 1

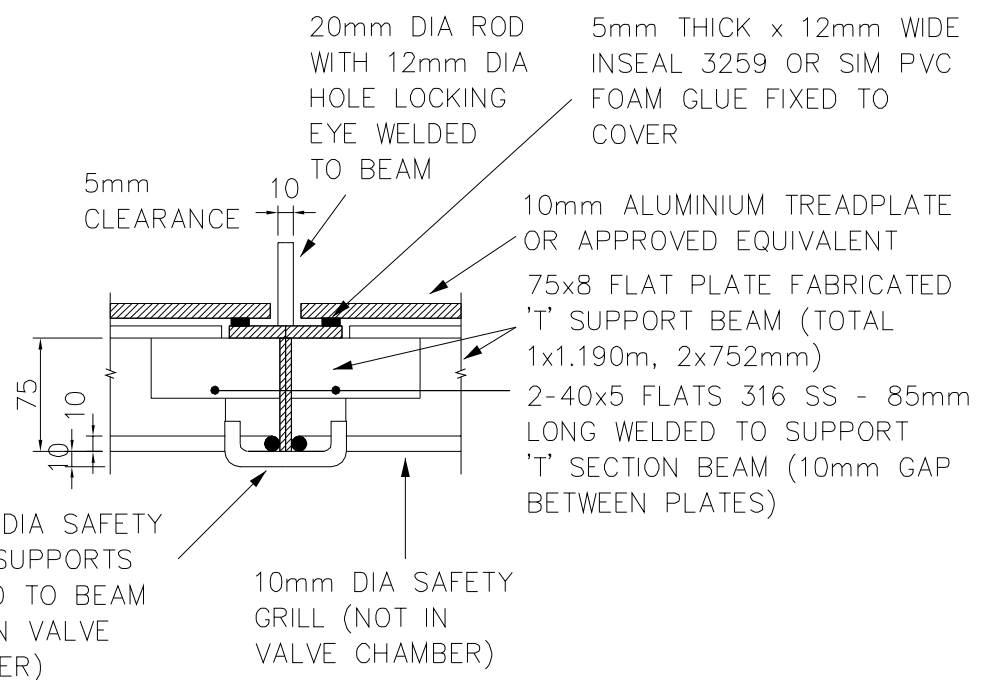


SAFETY GRILL. 10mm DIA BARS @ 200 CRS MAX. BOTH WAYS

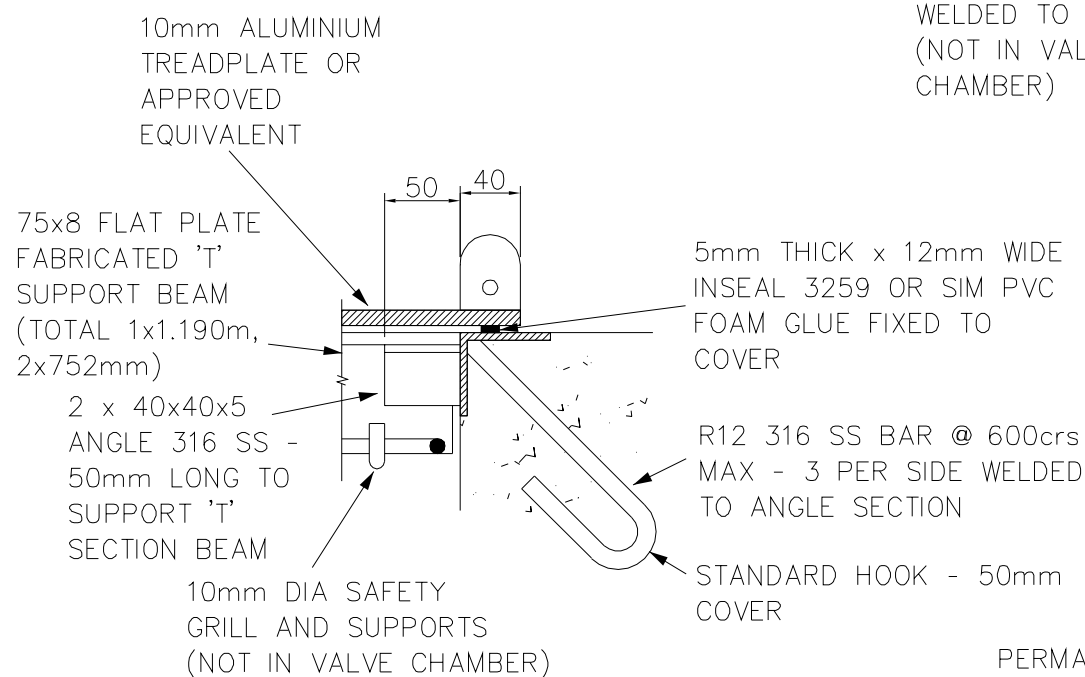
SECTION 2



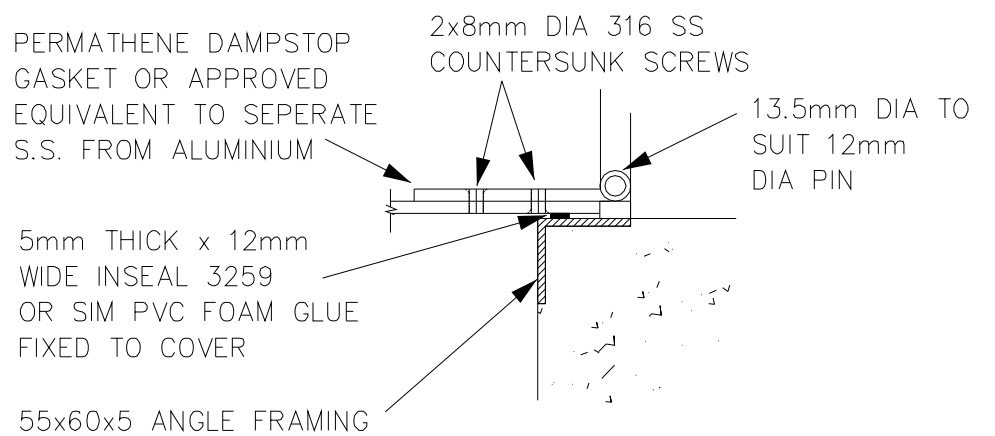
SECTION 3



SECTION 4



SECTION 5



SECTION 6

NOTES: -

1. STAINLESS STEEL WELDING IS TO BE IN ACCORDANCE WITH AS/NZS 1554.6 1994
2. ALL S.S. WELDS TO BE A MINIMUM OF CATEGORY 2B CLASSIFICATION WITH GRADE II SURFACE FINISH DESIGNATION
3. MATERIALS
 - TREADPLATE; 5052 ALUMINIUM
 - FLAT BAR RIBBING; 6063 ALUMINIUM
 - ALL OTHER ITEMS; 316 STAINLESS STEEL
4. ALSO REFER TO SHEET 5.13

STANDARD DETAIL:

Copyright on this Drawing is Reserved

DATE: January 2009

NOT TO SCALE



Head Office: 50 Centreway Road, Orewa
Private Bag 500, Orewa, 1461, New Zealand
Tel: 0800 4265169, Fax (09) 4267280
Email: info@rodne.govt.nz

**MINOR WASTEWATER
PUMPING STATIONS
CODE FOR CONSTRUCTION**

RDC NO:

SHEET NO:

REV:

18000 5.14 1