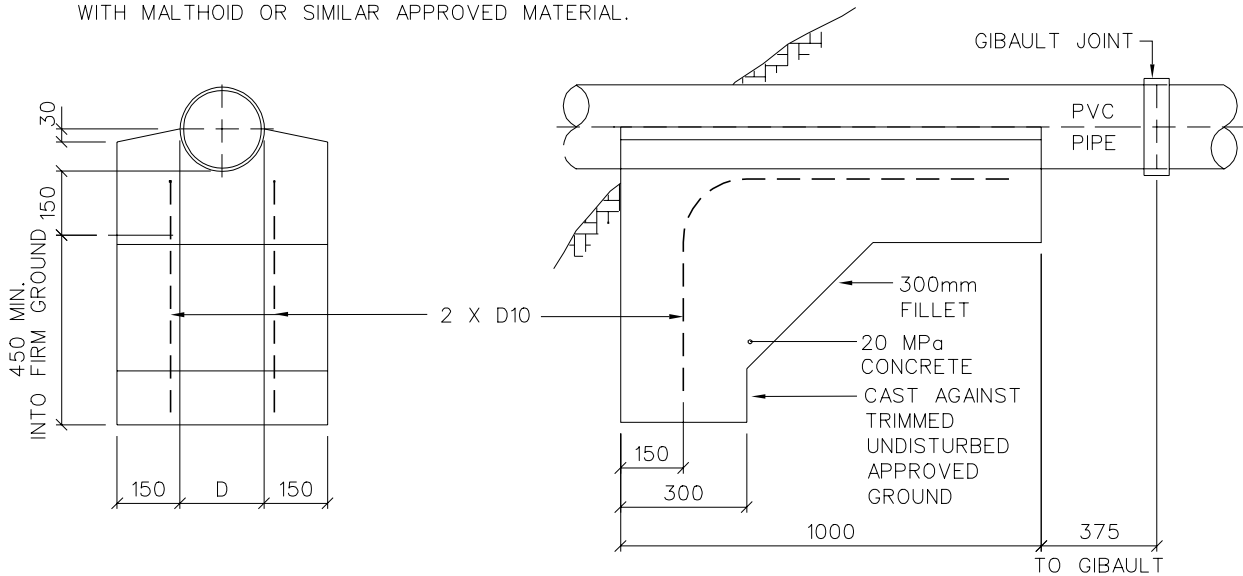
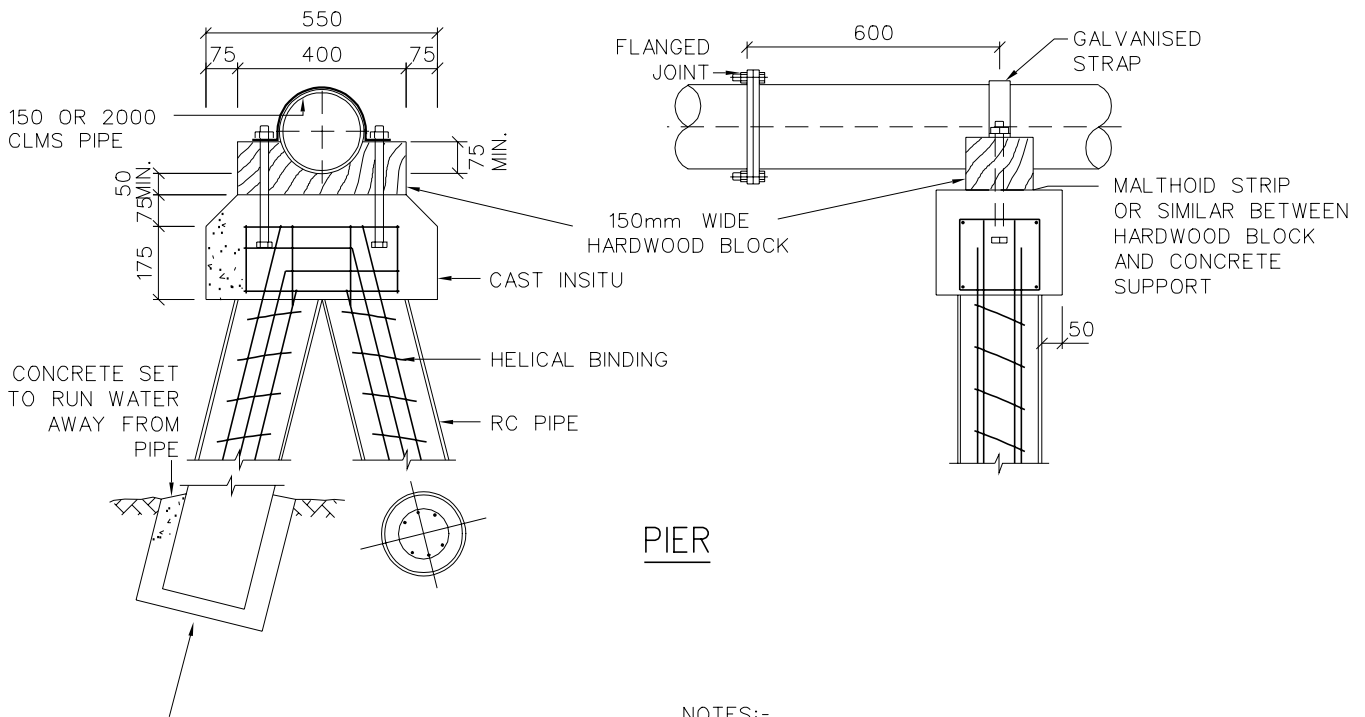


BED CLMS PIPE TO ONE ABUTMENT ONLY
WITH MALTHOID OR SIMILAR APPROVED MATERIAL.



ABUTMENT



PIER

SET PILE
TO FULL
DEPTH IN 17.5 MPa CONCRETE.
PILE TO BE 1.5m

NOTES:-

1. Steelstraps 50 X 10mm bolted down with 20mm dia. bolts to be set 125mm into concrete.
2. 6mm dia. helical binding at 100mm pitch welded to alternative longitudinal bars - 6 in each pipe 16mm dia.
3. For pipe sizes greater than 200mm dia. specific design is required.



Head Office: 50 Centreway Road, Orewa
Private Bag 500, Orewa, 1461, New Zealand
Tel: 0800 4265169, Fax (09) 4267280
Email: info@rodney.govt.nz

26 February 2009

STANDARD DETAIL:

**PIPE BRIDGE FOR
150 - 200 DIAMETER
PIPE**

Copyright on this Drawing is Reserved

DATE: June 2005

NOT TO SCALE

RDC NO:

SHEET NO:

REV:

18000

5.2