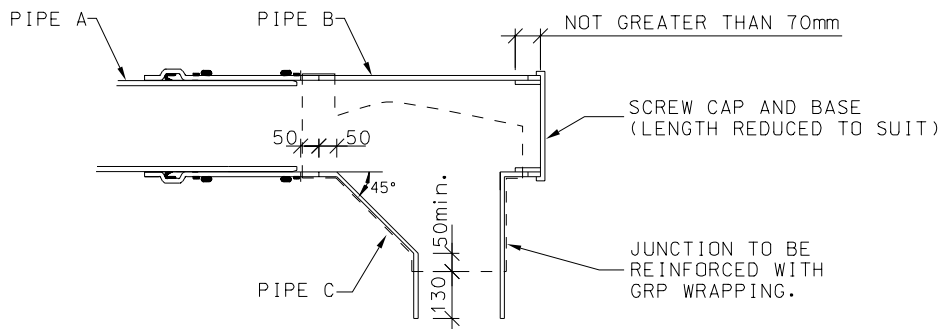


MH RISER PIPE DIAMETER (mm)	
ONE INTERNAL DROP PIPE	= 1200
MORE THAN ONE INTERNAL DROP PIPE	= 1500

INTERNAL DROP MANHOLE
NTS



NOMINAL DIA. (mm)	PIPE A (PVC) (SEH D)	PIPE B (PVC) (SEH D)	PIPE C (PVC) (SEH C)	PIPE D (PVC) (SEH D)
150	160 OD	225 OD	160 OD	160 OD
225	250 OD	280 OD	250 OD	250 OD
250	280 OD	315 OD	280 OD	280 OD

INLET DETAIL
SCALE 1:20



Head Office: 50 Centreway Road, Orewa
Private Bag 500, Orewa, 1461, New Zealand
Tel: 0800 4265169, Fax (09) 4267280
Email: info@rodney.govt.nz

26 February 2009

STANDARD DETAIL:

**WASTEWATER MANHOLE
INTERNAL DROP**

Copyright on this Drawing is Reserved

DATE: June 2005

NOT TO SCALE

RDC NO:

SHEET NO:

REV:

18000

5.3