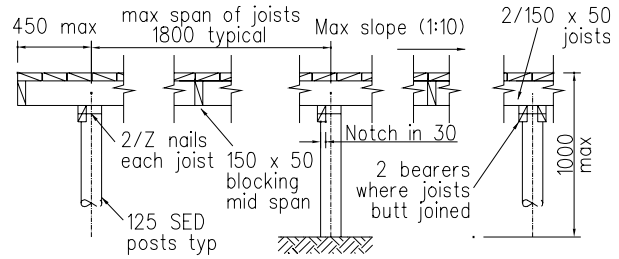
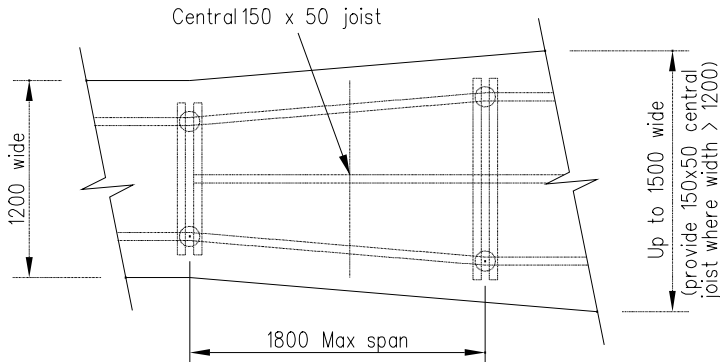


FOUNDATION DETAIL
For marine estuary or swampy ground

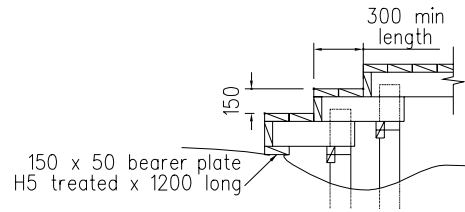
FOUNDATION DETAIL
For firm clay, gravel or sand conditions



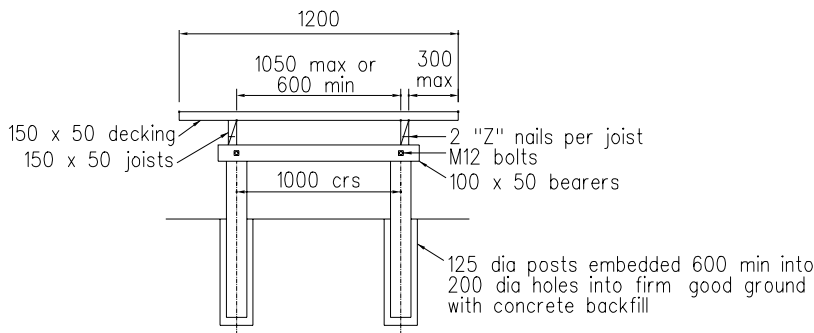
ELEVATION



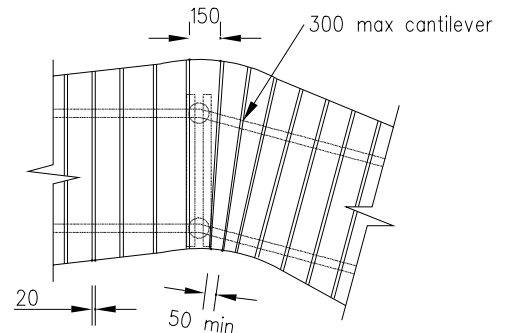
TAPER DETAIL



TYPICAL STEP DETAIL



TYPICAL SECTION



TYPICAL CURVE DETAIL

GENERAL NOTES:

Timber treatment

1. Round or sawn piles or poles in contact with ground to be H5
 2. Sawn timber not in contact with ground to be H3
 3. Sawn timber in contact with ground to be H5
- Treatment shall comply with the current requirements of the timber preservation council. All timber shall be branded with the appropriate woodmark. It is preferred that timbers be treated at least 2 months prior to use.

Nails

1. 50mm decking fixing 90 x 3.15 FH/JH
 2. General structural use 100 x 4 FH
- All nails shall be hot dipped galvanised

Bolts

Bolts shall be M12 hot dipped galvanised engineers bolts fitted with 50 x 50 x 5 galvanised square washers both ends. All galvanised bolts in contact with treated timber shall be protected using GP grease in pre greased holes.

STANDARD DETAIL:

Copyright on this Drawing is Reserved

DATE: June 2005

NOT TO SCALE



Head Office: 50 Centreway Road, Orewa
Private Bag 500, Orewa, 1461, New Zealand
Tel: 0800 4265169, Fax (09) 4267280
Email: info@rodney.govt.nz

**STANDARD BOARDWALK -
1200mm WIDE
FENCE PANEL DETAIL**

RDC NO:

SHEET NO:

REV:

18000 7.16

26 February 2009