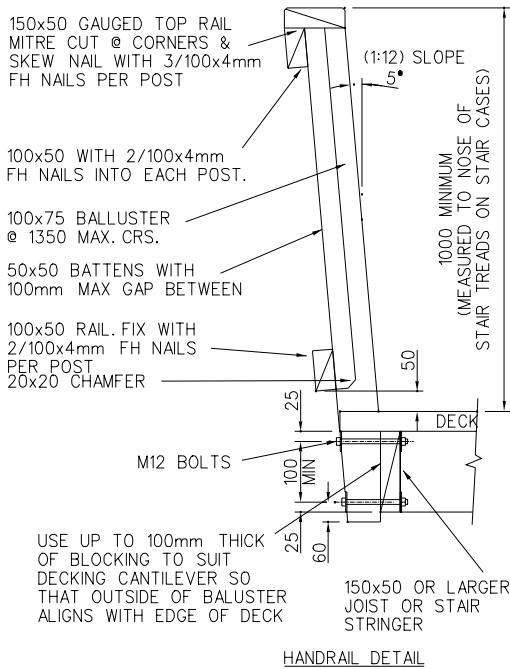
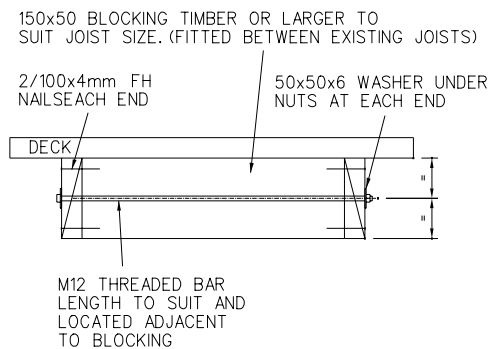


TYPICAL ELEVATION

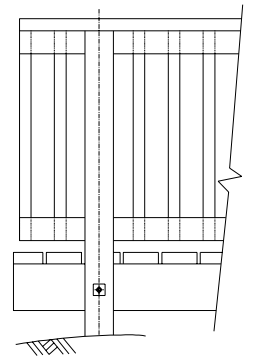
TYPICAL GRADE CHANGE DETAIL



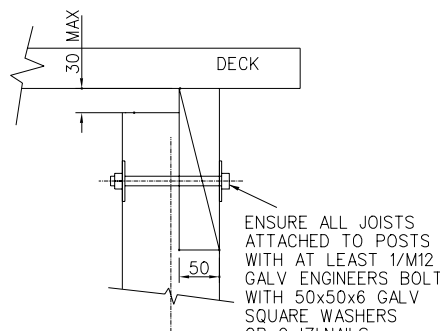
HANDRAIL DETAIL



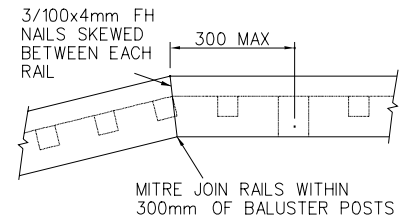
DETAIL A - BLOCKING DETAIL
LOCATE BLOCKING WITHIN 150mm OF EACH BALUSTER POST.



ALTERNATIVE DETAIL FOR END POSTS



DETAIL B



PLAN ON TYPICAL BEND SPLICE DETAIL

GENERAL NOTES

TIMBER TREATMENT

1. SAWN TIMBER NOT IN CONTACT WITH GROUND TO BE H3.
 2. SAWN TIMBER IN CONTACT WITH THE GROUND TO BE H5.
- TREATMENT SHALL COMPLY WITH THE CURRENT REQUIREMENTS OF THE TIMBER PRESERVATION COUNCIL. ALL TIMBER SHALL BE BRANDED WITH THE APPROPRIATE WOODMARK. IT IS PREFERRED THAT TIMBERS BE TREATED AT LEAST 2 MONTHS PRIOR TO USE. ALL TIMBER TO BE ROUGH SAWN EXCEPT TOP RAIL.

NAILS

1. 50mm BATTEN FIXING 2/90x3.15 FH/JH.
 2. GENERAL STRUCTURAL USE 100x4 FH.
- ALL NAILS SHALL BE HOT DIPPED GALVANISED. REFER TO SPECIFICATIONS FOR SEA SPRAY AREAS.

BOLTS

- BOLTS TO BE AS FOLLOWS :
- IN MARINE WETTING AND MARINE SPRAY ZONE LOCATIONS, BOLTS, THREADED BAR AND WASHERS ARE TO BE TYPE 316 STAINLESS STEEL. IN ALL OTHER LOCATIONS, BOLTS, THREADED BAR AND WASHERS TO BE HOT DIP CALVANISED WITH GP GREASE IN PRE GREASED HOLES AND ON CONTACT SURFACES WITH TIMBER. ALL WASHERS TO BE 50x50 SQUARE WASHERS 6mm THICK. REFER TO SPECIFICATIONS FOR SEA SPRAY AREAS.



Head Office: 50 Centreway Road, Orewa
Private Bag 500, Orewa, 1461, New Zealand
Tel: 0800 4265169, Fax (09) 4267280
Email: info@rodney.govt.nz

26 February 2009

STANDARD DETAIL:

**STANDARD HANDRAIL
FOR EXISTING
STRUCTURES**

Copyright on this Drawing is Reserved

DATE: June 2005

NOT TO SCALE

RDC NO:

SHEET NO:

REV:

18000 7.18