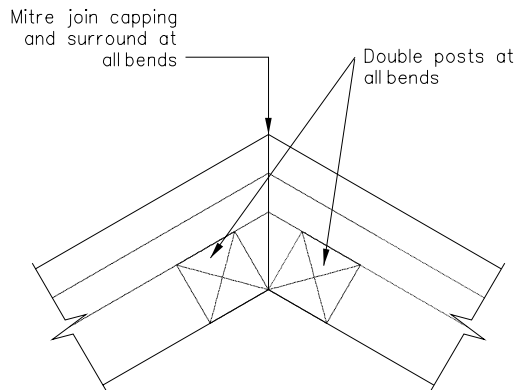
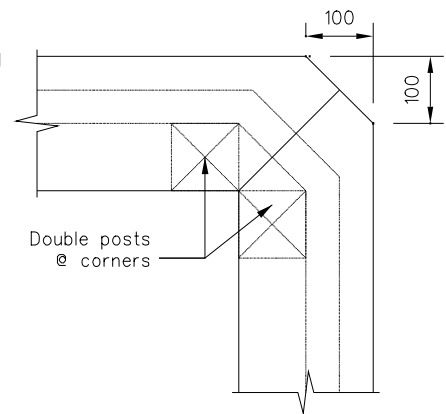


TYPICAL SECTION

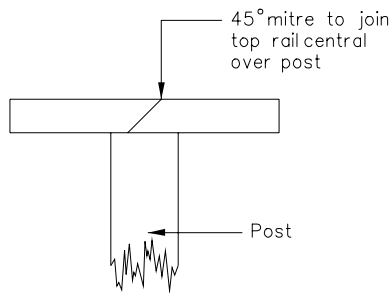


PLAN ON BENDS

Chamfer 100mm off all corners > 60° direction change



PLAN ON CORNER



ELEVATION ON CAPPING JOIN

NOTES:

1. All timber to be H4 treated.
2. Vertical alignment of edging to have even grade between changes in horizontal alignment.
3. Edging to be set out with string line for top rail and approved by engineer before proceeding with installation of posts.



Head Office: 50 Centreway Road, Orewa
Private Bag 500, Orewa, 1461, New Zealand
Tel: 0800 4265169, Fax (09) 4267280
Email: info@rodney.govt.nz

26 February 2009

STANDARD DETAIL:

**PLAYGROUND SAFETY
SURFACING TIMBER
RETAINER**

Copyright on this Drawing is Reserved

DATE: June 2005

NOT TO SCALE

RDC NO:

SHEET NO:

REV:

18000 7.20