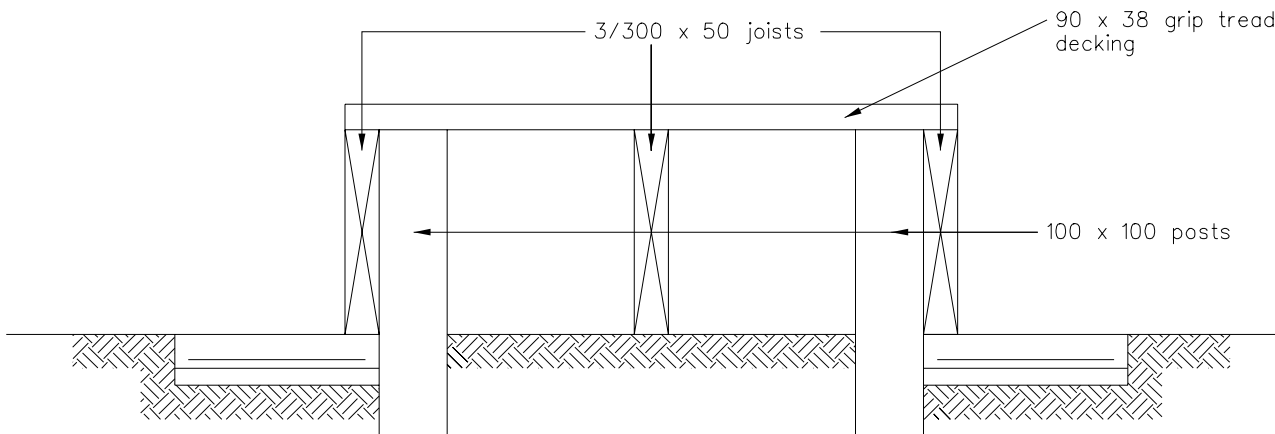


2	ELEVATION
SHEET	
7.23	



1	SECTION
SHEET	
7.23	



Head Office: 50 Centreway Road, Orewa  
 Private Bag 500, Orewa, 1461, New Zealand  
 Tel: 0800 4265169, Fax (09) 4267280  
 Email: info@rodney.govt.nz

26 February 2009

STANDARD DETAIL:

**PLAYGROUND SAFETY  
 SURFACING TIMBER  
 RETAINER ACCESS RAMP**

Copyright on this Drawing is Reserved

DATE: June 2005

NOT TO SCALE

RDC NO:

SHEET NO:

REV:

18000 7.22