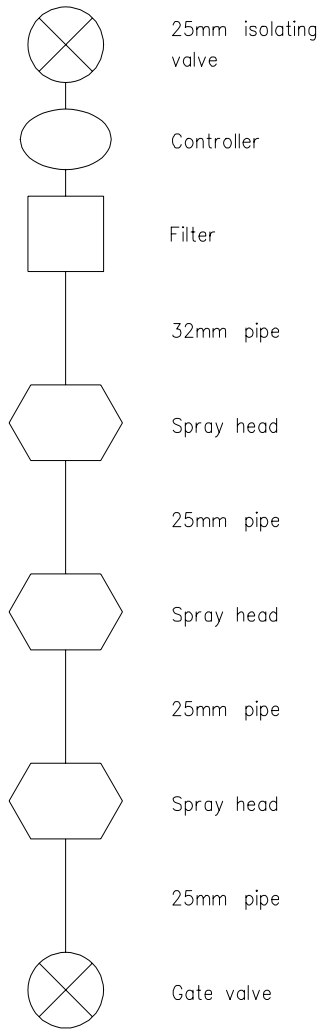


Mains Connection



Controller

Irrinet Impact radio controlled single station controller or Nelson Solorain battery operated controller mounted on a 25mm solenoid valve.

Filter

A 20mm Amiad filter complete with a 100 micron screen.

Spray Heads

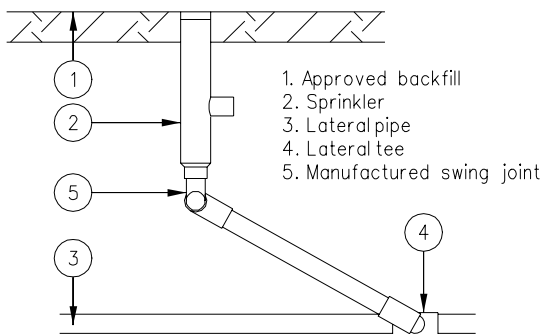
Hunter SRS series Toro 570 series Rain Bird 1800 series

Piping

Pipe shall be a MDPE polyethylene, with a minimum pressure rating of PN6. Only purpose made compression fittings are to be used.

Sprinkler Spacings

15 foot series - 5 meters apart
 12 foot series - 4 meters apart
 10 foot series - 3 meters apart
 The number of sprinklers that can be run in relation to pipe size as listed below is based on half circle sprinklers. These are indicative of the maximum number of sprinklers per linear pipe size, and are cumulative.
 25mm MDPE - Six
 32mm MDPE - Ten
 A full test is to be done prior to installation to assess the available flow and pressure. This will allow calculation of the number of sprinklers that can operate at that flow.



Head Office: 50 Centreway Road, Orewa
 Private Bag 500, Orewa, 1461, New Zealand
 Tel: 0800 4265169, Fax (09) 4267280
 Email: info@rodney.govt.nz

STANDARD DETAIL:

**STANDARD GARDEN BED
 SPRINKLER IRRIGATION
 DETAIL**

Copyright on this Drawing is Reserved

DATE: June 2005

NOT TO SCALE

RDC NO:

SHEET NO:

REV:

18000 7.23

26 February 2009