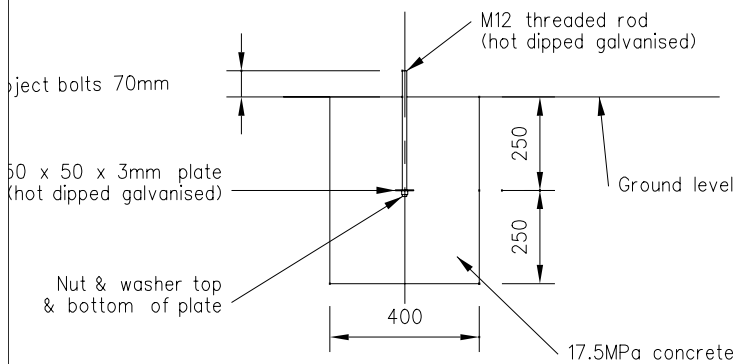
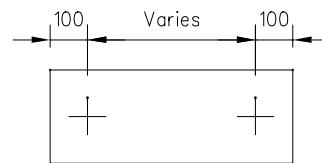


DETAIL
1:25



ELEVATION
1:20



PLAN
1:20

FOOTING DETAILS:

- All hold down bolts and steelwork to be hot dipped galvanised to AS/NZS 4680
- All hold down bolts to be grade 4.6/S
- Concrete strength to be min 17.5MPa @ 28 days
- Confirm soil bearing strength complies with NZS 3604 prior to casting foundations
- Steel flats, plates shall be grade 300
- Holding down bolts and fixings to be accurately set out in position and rigidly fixed prior to concreting
- All concrete work and workmanship shall be in accordance with NZS 3109

NOTES:

- Concrete slab to be 100mm thick with 665 mesh centrally placed
- Seats can be any of the following type:-
- Horizontal single bench seat
- Cantwell and Brown 1.8m traditional garden seat in Kwila
- Play World Park Supplies 1.8m Queenswoods seat
- NZ Street Furniture ACC seat Mark 2
- NZ Street Furniture large Colonial Seat with arm rests



Head Office: 50 Centreway Road, Orewa
Private Bag 500, Orewa, 1461, New Zealand
Tel: 0800 4265169, Fax (09) 4267280
Email: info@rodney.govt.nz

26 February 2009

STANDARD DETAIL:

**FOOTING DETAILS FOR
PARK SEATS**

Copyright on this Drawing is Reserved

DATE: June 2005

NOT TO SCALE

RDC NO:

SHEET NO:

REV:

18000 7.25