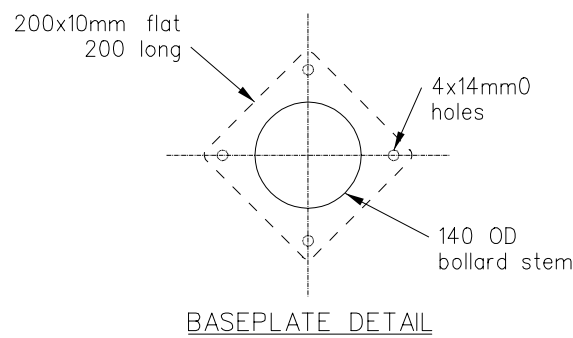


**Notes:**

1. All structural steel shall be grade 250 in accordance with AS 3678 & AS 3679 or approved equivalent
2. All sharp corners shall be ground off prior to galvanising
3. All structural steel shall be hot dipped galvanised after fabrication in accordance with AS 1650
4. All welding is to be in accordance with AS 1554.1 CAT G.P. All welds to be sealed
5. All MS bolts shall be grade 4.6 in accordance with AS 1111
6. All MS bolts shall be supplied with washers and nuts bolts to be tightened "snugtight"
7. All MS bolts, nuts and washers shall be hot dipped galvanised in accordance with AS 1214



**Rodney**  
DISTRICT COUNCIL

Head Office: 50 Centreway Road, Orewa  
Private Bag 500, Orewa, 1461, New Zealand  
Tel: 0800 4265169, Fax (09) 4267280  
Email: info@rodney.govt.nz

STANDARD DETAIL:  
**KNOCK DOWN BOLLARD**

Copyright on this Drawing is Reserved  
DATE: June 2005  
NOT TO SCALE

RDC NO: SHEET NO: REV:

**18000 7.3**