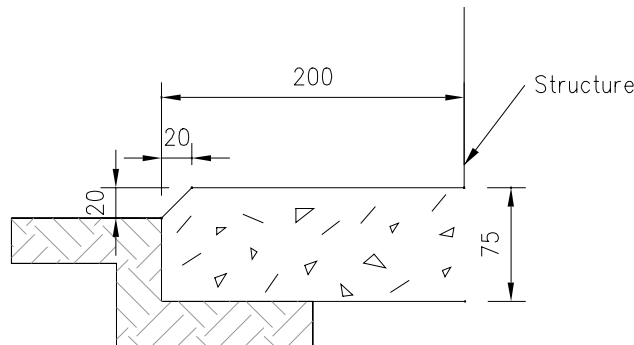


CONCRETE PATH DETAIL

SCALE 1:20

NOTE:

Driveways to parks need to be 100mm thick slab with Cem-FIL Anti-crack reinforcing or approved alternative



MOWING STRIP

SCALE 1:5



Head Office: 50 Centreway Road, Orewa
Private Bag 500, Orewa, 1461, New Zealand
Tel: 0800 4265169, Fax (09) 4267280
Email: info@rodney.govt.nz

26 February 2009

STANDARD DETAIL:

**PEDESTRIAN ACCESSWAY
AND MOWING STRIP**

Copyright on this Drawing is Reserved

DATE: June 2005

NOT TO SCALE

RDC NO:

SHEET NO:

REV:

18000 7.6